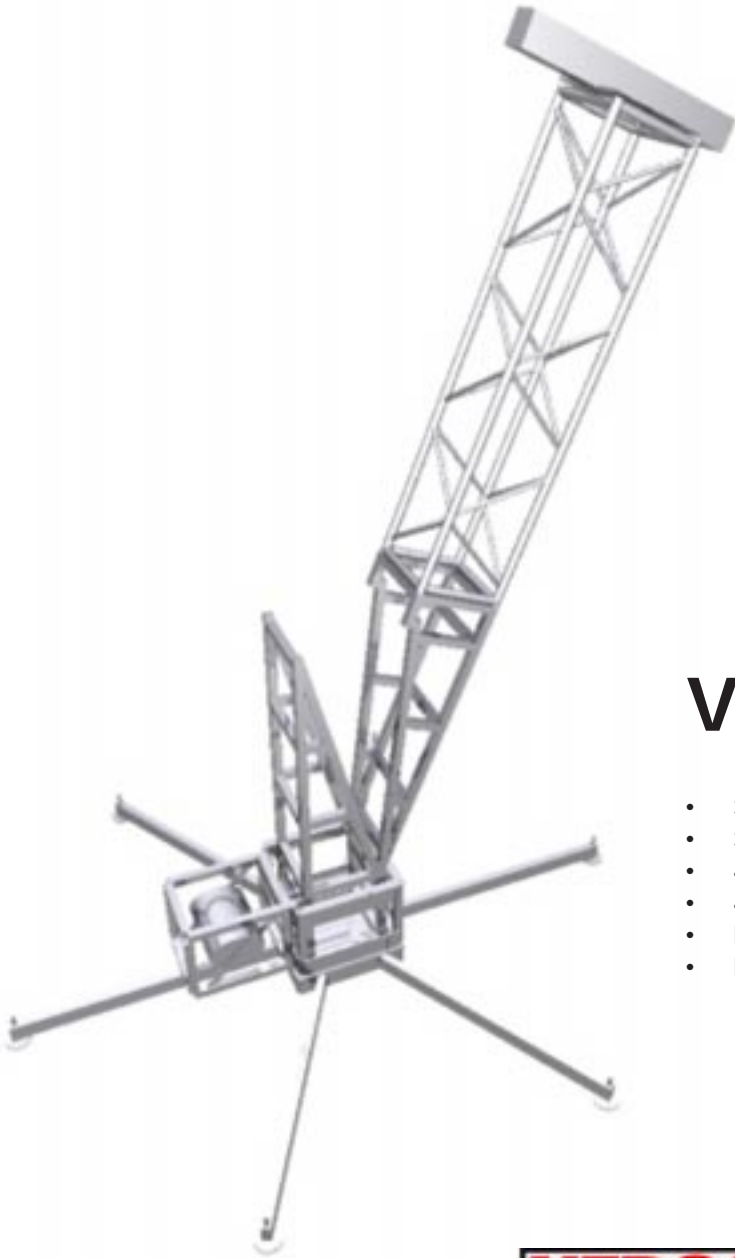


# VERSA TOWER

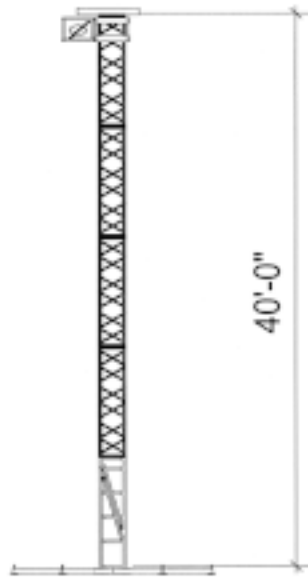


## VERSA TOWER

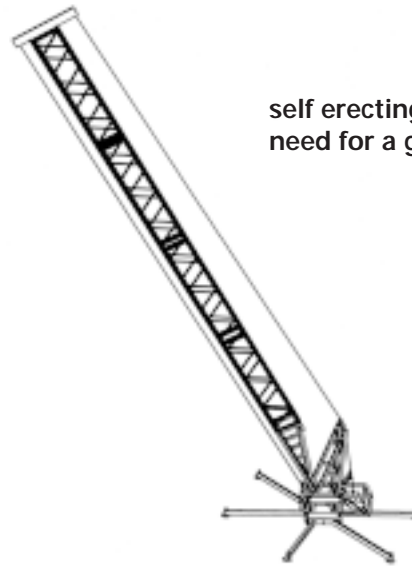
- SELF ERECTING
- SELF CLIMBING
- 4-TON LOAD CAP.
- 40' VERTICAL TRIM HEIGHT
- FLEXIBLE SIZES
- FREE STANDING



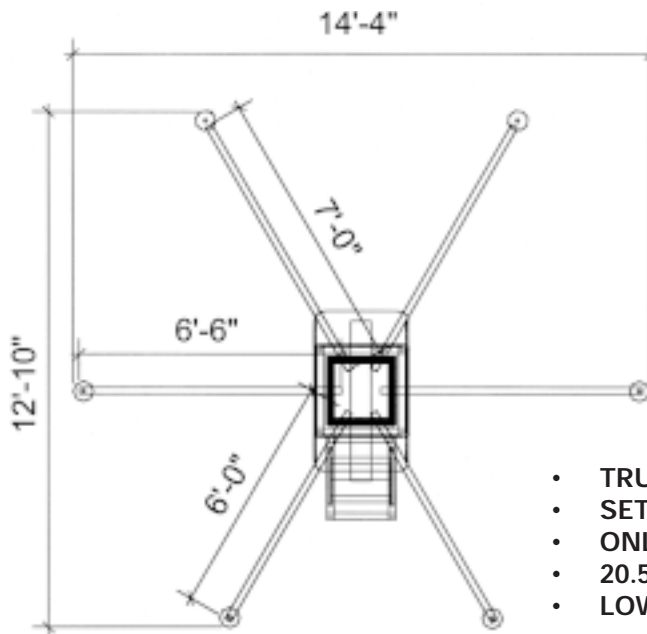
1320 Storm Pkwy Torrance CA 90501 phone 310.784.2464 fax 310.517.0899  
[www.allaccessinc.com](http://www.allaccessinc.com)



elevation



self erecting without  
need for a grid



plan view

- TRUCK PACK EFFICIENT
- SETS UP IN MINUTES
- ONLY TOWER OF ITS KIND
- 20.5" STANDARD TRUSS CAN BE USED
- LOWER LABOR COSTS



1320 Storm Pkwy Torrance CA 90501 phone 310.784.2464 fax 310.517.0899  
[www.allaccessinc.com](http://www.allaccessinc.com)